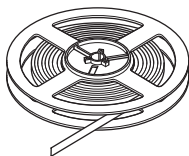




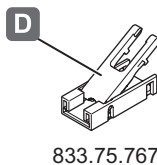
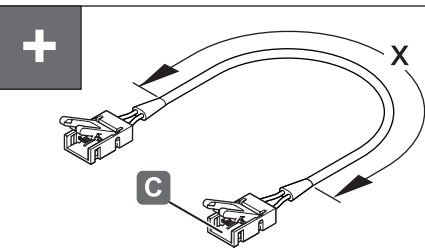
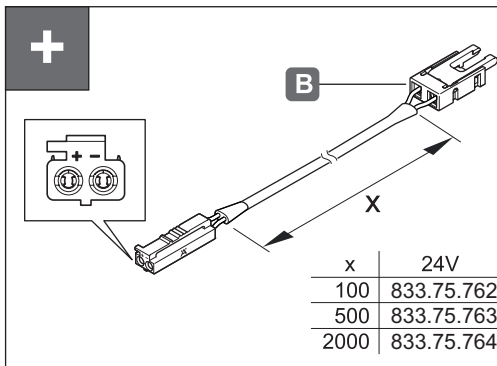
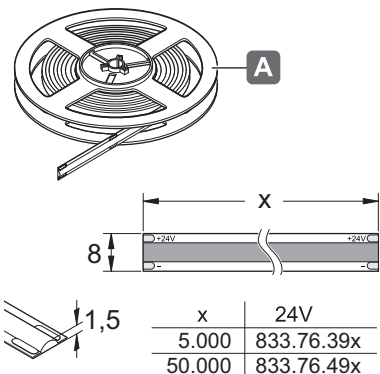
LED 3069



833.76.391	833.76.491
833.76.392	833.76.492
833.76.393	833.76.493
833.76.394	833.76.494




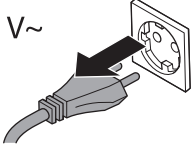
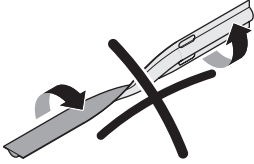
732.28.368



24 V System	W/m	20W	40W	90W	270W	T _A
LED3069	8,0	2,5	5,0	11,25	11,25	-20 °C – +45 °C -4 °F – +113 °F

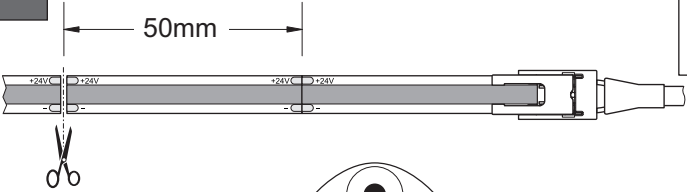
HDE 17.11.2022

i  100 - 240 V~

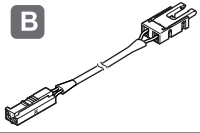
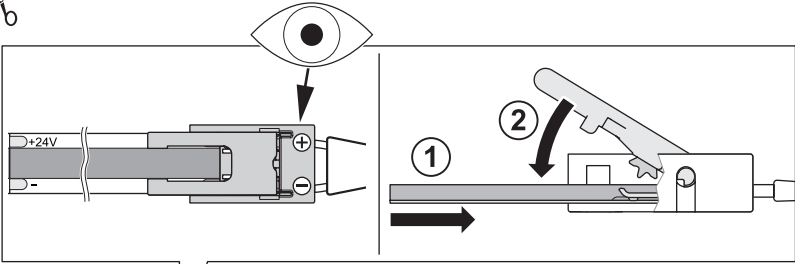
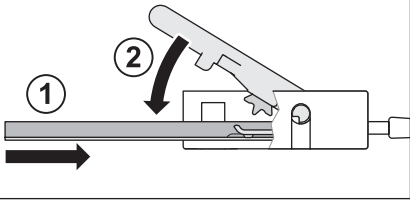
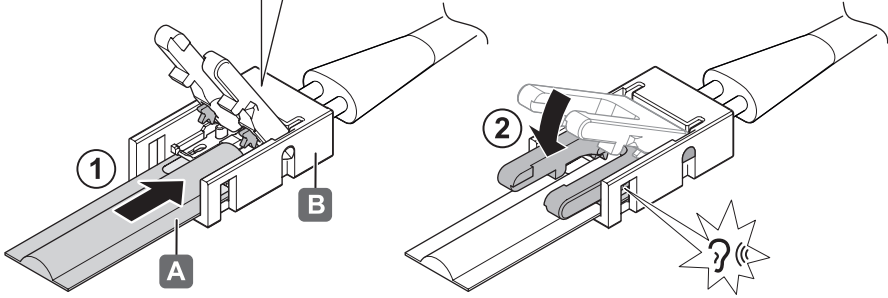



1

50mm



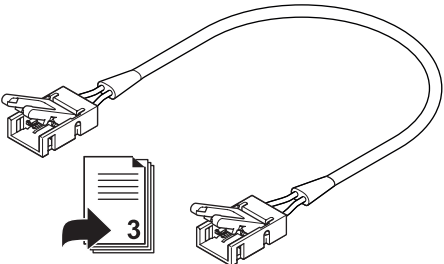
B

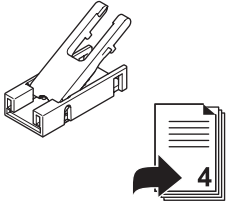
1 **A** **B**

2 **?**

+



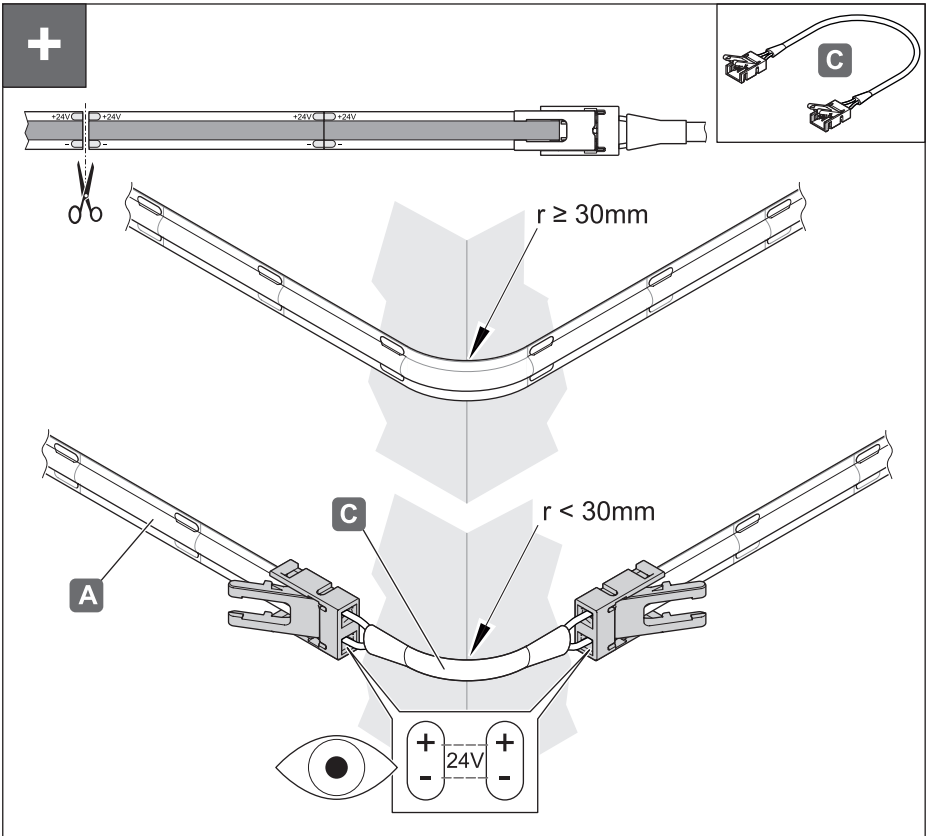
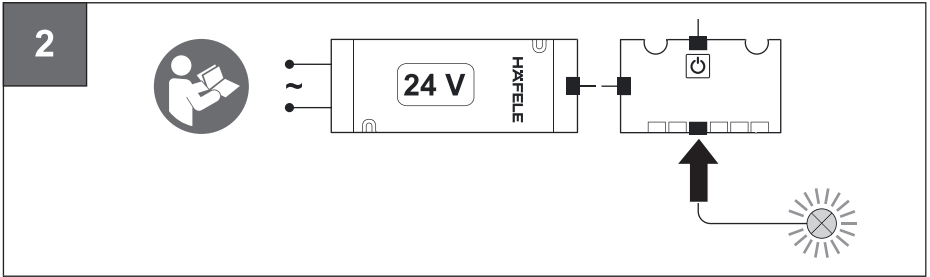
3



4

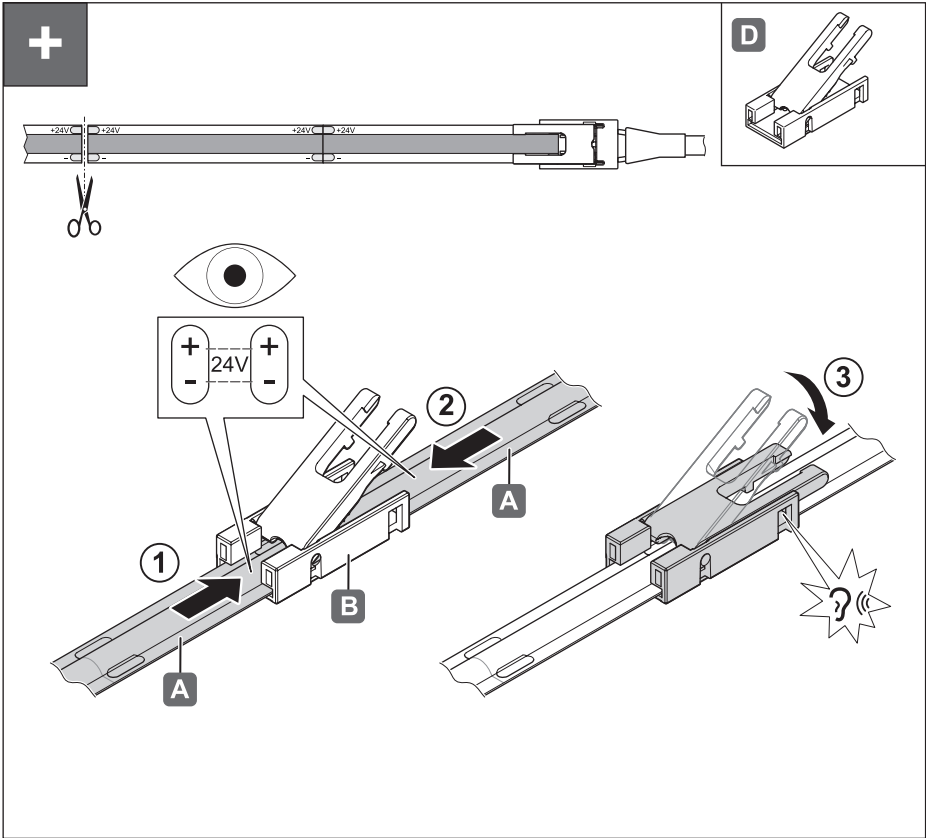
732.28.368

HDE 17.11.2022



732.28.368

HDE 17.11.2022



732.28.368

HDE 17.11.2022