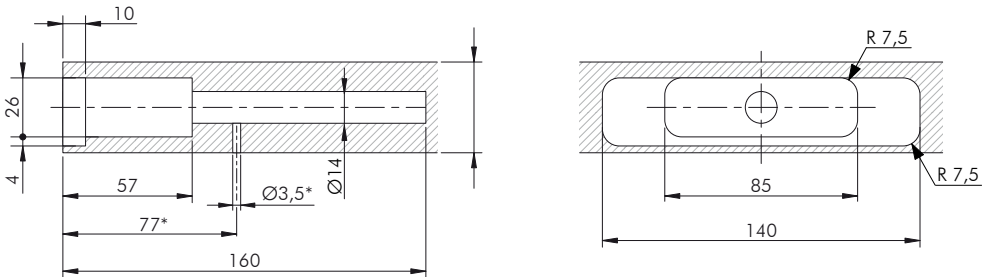


BRACKET FOR TRIADE MAXI ^[1]

* Dimensions in mm^[2]

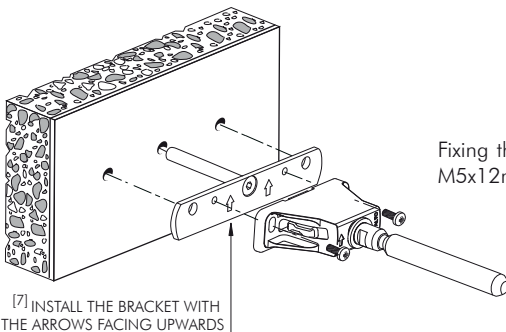


DRILLING PLAN ^[3]



* Optional drilling for security locking with M4 grub screw. For details refer to Triade maxi instruction sheet.^[4]

FIXING ^[5]



Fixing the Triade onto the bracket with pan head screws M5x12mm provided.^[6]

It is the responsibility of the customer: ^[8]

- to ensure the wall is of a suitable quality to hold both the inserting of the bracket with pin and the Triade Maxi in place.