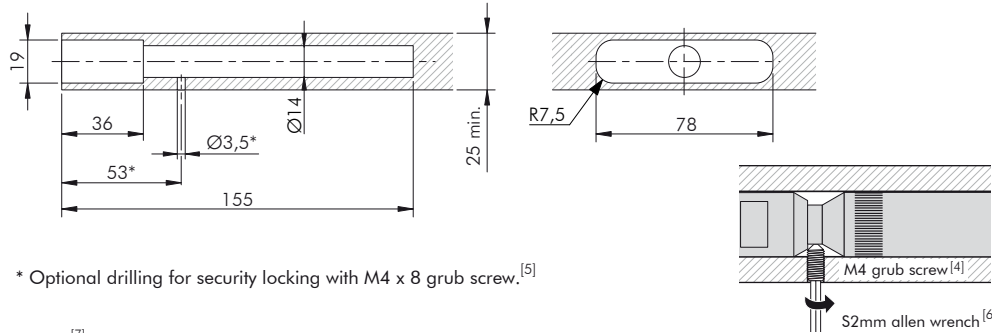


TRIADE MINI FITTING GUIDE ^[1]

* Dimensions in mm ^[2]



DRILLING PLAN ^[3]

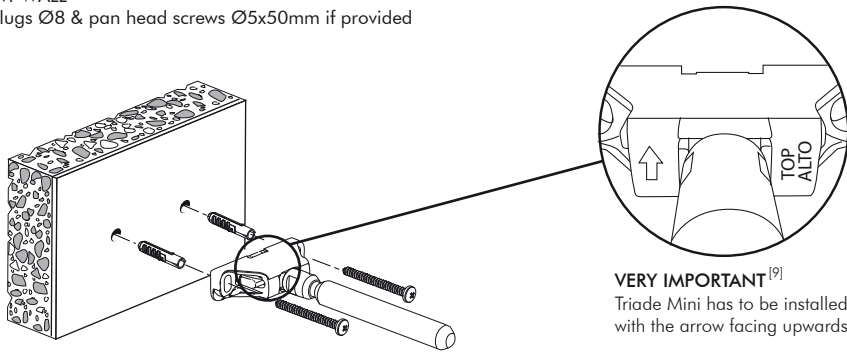


* Optional drilling for security locking with M4 x 8 grub screw. ^[5]

FIXING ^[7]

TO CEMENT WALL ^[8]

With rawlplugs Ø8 & pan head screws Ø5x50mm if provided

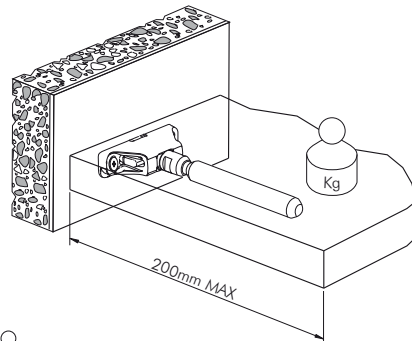
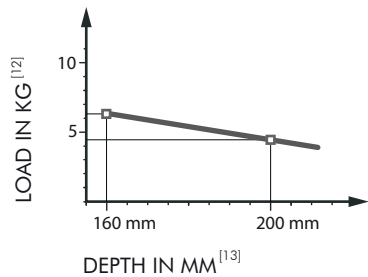


VERY IMPORTANT ^[9]
Triade Mini has to be installed with the arrow facing upwards.

It is the responsibility of the customer: ^[10]

- to ensure the wall is of a suitable quality to hold the shelf fixing in place.
- to use the proper hardware fittings according to the construction of the wall.

COMBINATION SHELF LOAD AND SHELF DEPTH (The figures refer to 1 shelf support) ^[11]

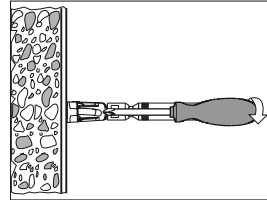


+ SHELF WEIGHT = 4,5 Kg MAX ^[14]

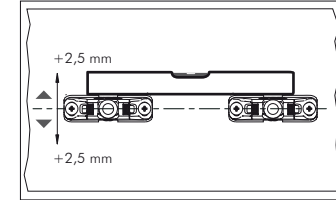
SHELF INSTALLING AND FULL ADJUSTMENTS ^[15]

A VERTICAL ADJUSTMENT ^[16]

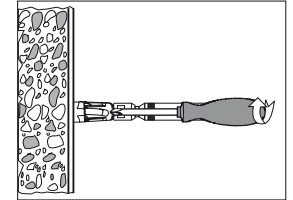
RELEASE THE FIXING SCREWS ^[17]



ALIGN BRACKETS VERTICALLY ACCORDINGLY ^[18]

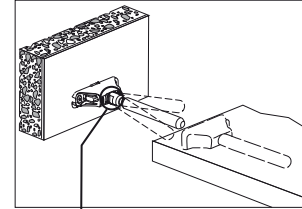


TIGHT THE FIXING SCREWS ^[19]

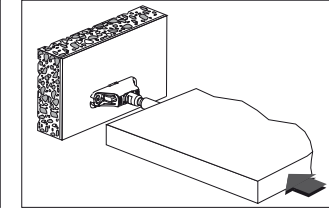


B SHELF INSERTING AND HORIZONTAL ADJUSTMENT ^[20]

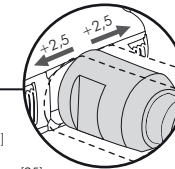
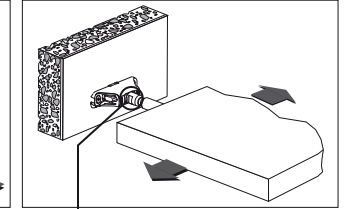
TILT THE SHELF TO MATCH BOTH SUPPORTING ^[21]
PINS AND SHELF HOUSINGS



INSERT PARTIALLY THE SHELF ^[22]

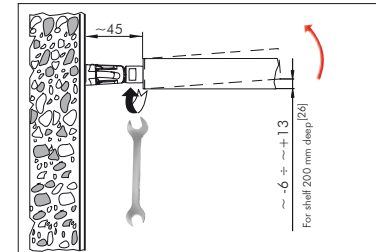


ADJUST THE SHELF HORIZONTALLY ACCORDING TO ^[23]
THE APPLICATION (I.E. MULTI-SHELF COMPOSITION)

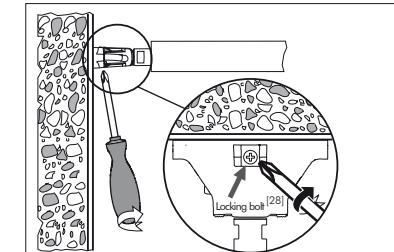


C INCLINATION ADJUSTMENT ^[24]

TURN CLOCKWISE THE SUPPORTING PIN WITH A 10 mm ^[25]
OPEN-ENDED WRENCH TO ADJUST THE SHELF ANGLE
FRONT TO BACK ACCORDINGLY



SCREW THE LOCKING BOLT TO BLOCK THE PIN ^[27]



D SHELF INSERTING ^[29]

PUSH THE SHELF AGAINST THE WALL UNTIL THE END ^[30]

