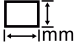

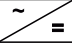
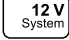
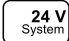
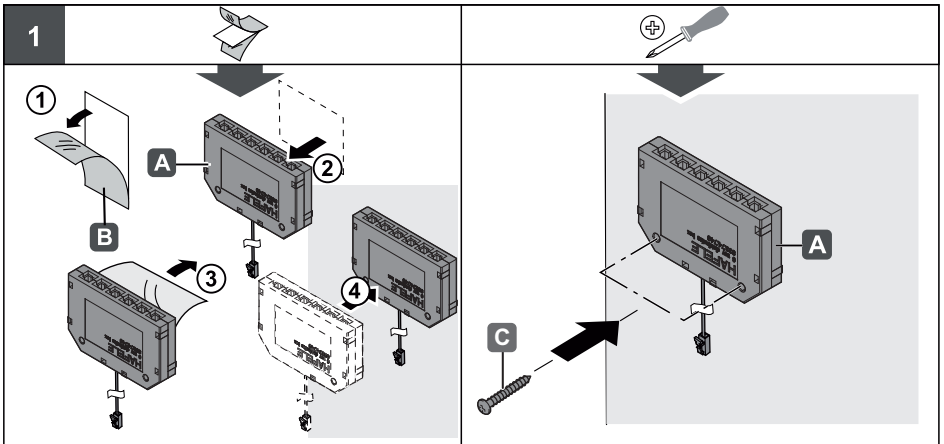
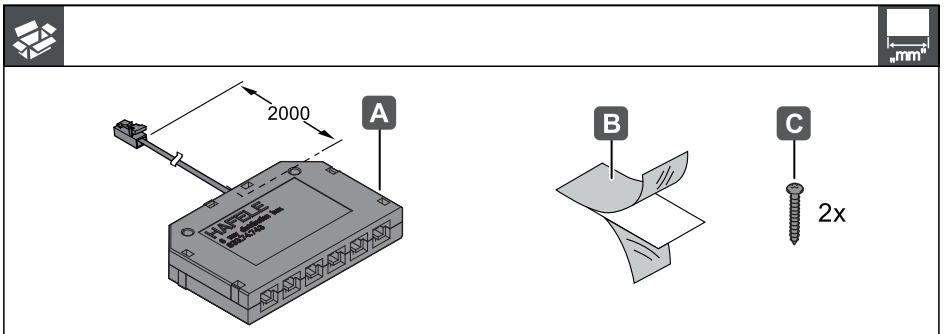




6-Way Distributor


| | | W |  mm |  mm |  |
|------------|---|-----|--|--|--|
| 833.74.798 |  | 42W | 58.5 x 38.2 x 10.2 | ≥ 68.5 x 48.2 x 20.2 | Loox 12 V |
| 833.77.724 |  | 84W | | | Loox 24 V |





732.28.244

HDE 05/2017

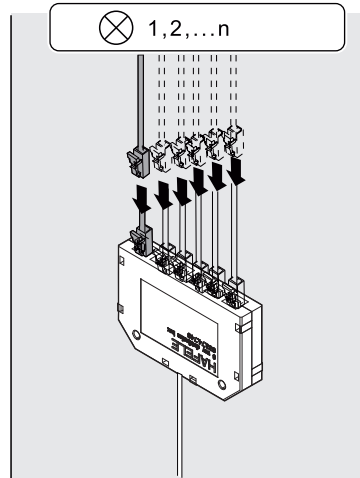
i

i 

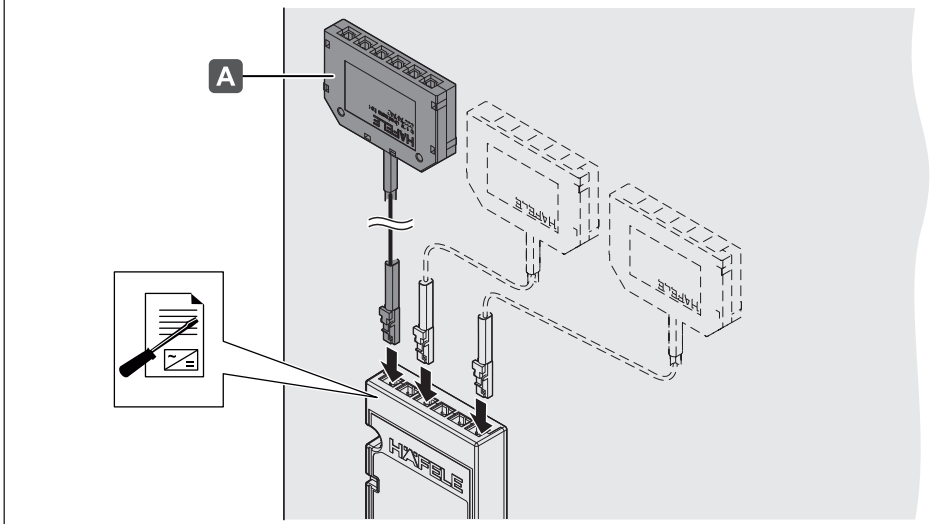



| | |
|--|--|
| 833.74.960 <small>12 V System</small> | 833.74.964 <small>12 V System</small> |
| 833.74.961 <small>24 V System</small> | 833.74.965 $\otimes_1 + \otimes_2 + \dots \leq 42 \text{ W}$ |
| 833.77.945 <small>24 V System</small> | 833.77.949 <small>24 V System</small> |
| 833.77.946 $\otimes_1 + \otimes_2 + \dots \leq 20 \text{ W}$ | 833.77.950 <small>24 V System</small> |
| 833.74.962 <small>12 V System</small> | $\otimes_1 + \otimes_2 + \dots \leq 84 \text{ W}$ |
| 833.74.963 <small>24 V System</small> | |
| 833.77.947 <small>24 V System</small> | |
| 833.77.948 $\otimes_1 + \otimes_2 + \dots \leq 40 \text{ W}$ | |

$\otimes_1 = \dots \text{ W}$
 $\otimes_2 = \dots \text{ W}$
 $\otimes_n = \dots \text{ W}$
 $\dots \text{ W}$



2



732.28.244

HDE 05/2017