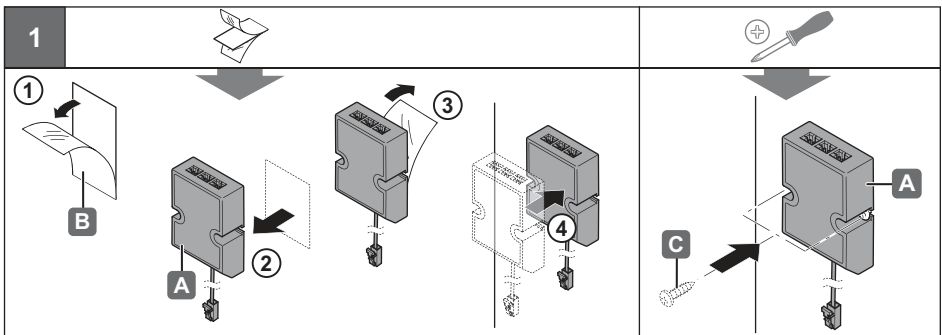
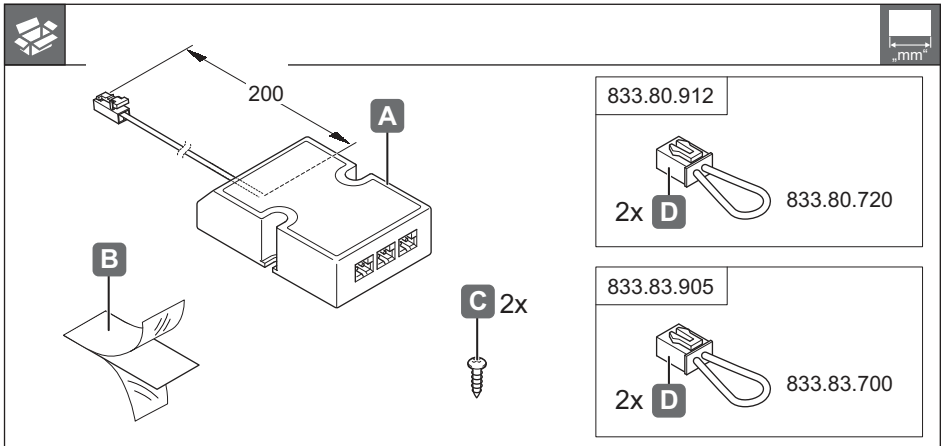




833.74.947 833.80.912
833.77.934 833.83.905

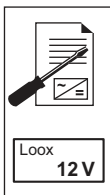
		$V_{IN} =$	$V_{OUT} =$	$W_{IN,max}$	$W_{OUT,max}$		
833.74.947	12 V System → 24 V System	24 V	12 V	15.0 W	10.0 W	60.5 x 34.2 x 14.6	Loox 24 V
833.77.934	24 V System → 12 V System	12 V	24 V				Loox 12 V
833.80.912	350 mA System → 12 V System	12 V	≤ 38 V	9.0 W	Loox 12 V		
833.83.905	700 mA System → 24 V System	24 V	≤ 25 V	24.0 W	15.0 W		Loox 24 V



2

833.77.934
833.80.912

A



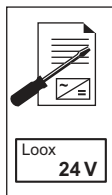
833.77.934

D

⚠ $\geq 15\text{ W}$

833.74.947
833.83.905

A

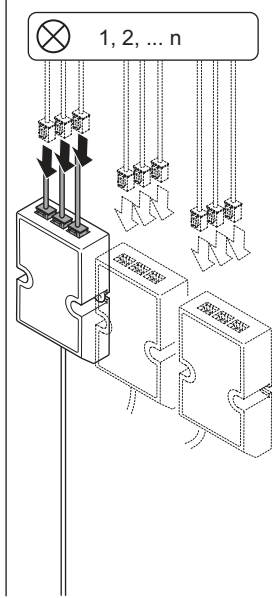


833.74.947

D

⚠ $\geq 15\text{ W}$ (833.83.905: $\geq 24\text{ W}$)

3



<p>350 mA System </p> <p>⚠ $\otimes_1 = \dots\text{ W}$ $\otimes_2 = \dots\text{ W}$ $\otimes_n = \dots\text{ W}$ $\dots\text{ W}$</p>	<p>$\otimes_1 + \otimes_2 + \dots \leq 9\text{ W}$</p>
<p>700 mA System </p> <p>⚠ $\otimes_1 = \dots\text{ W}$ $\otimes_2 = \dots\text{ W}$ $\otimes_n = \dots\text{ W}$ $\dots\text{ W}$</p>	<p>$\otimes_1 + \otimes_2 + \dots \leq 15\text{ W}$</p>
<p>12 V System 24 V System </p> <p>⚠ $\otimes_1 = \dots\text{ W}$ $\otimes_2 = \dots\text{ W}$ $\otimes_n = \dots\text{ W}$ $\dots\text{ W}$</p>	<p>$\otimes_1 + \otimes_2 + \dots \leq 10\text{ W}$</p>

732.28.402 HDE 06/2015