
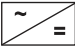
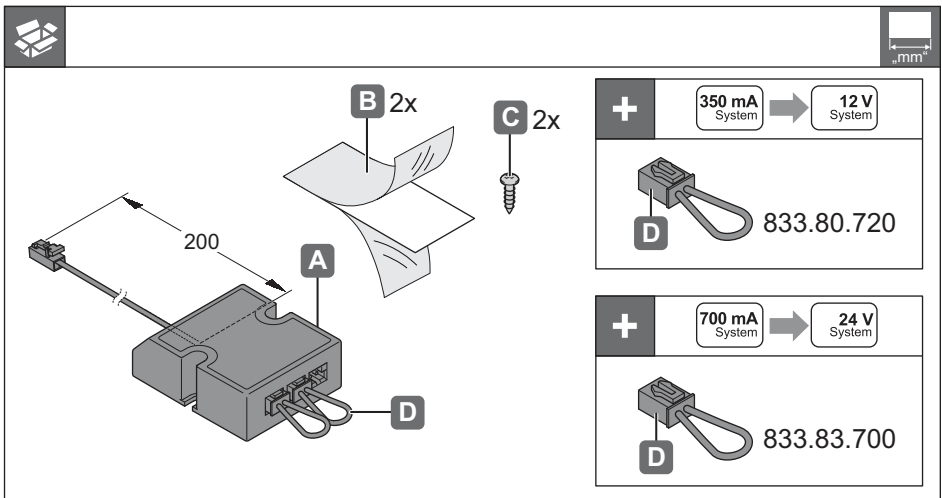




## Converter

833.80.912  
833.83.905

		<b>W</b>		
833.80.912	<b>350 mA</b> System → <b>12 V</b> System	9.0 W	61 x 34 x 14	833.74.900 833.74.914 833.74.901 833.74.917 833.74.913 833.74.918
833.83.905	<b>700 mA</b> System → <b>24 V</b> System	15.0 W		833.77.900 833.77.913 833.77.901 833.77.914 833.77.912 833.77.915



HDE 15.04.2013

732.28.304

